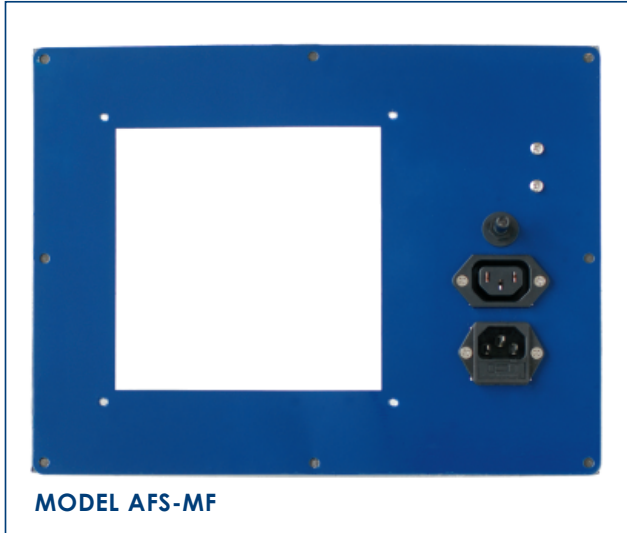


# PLASMA AIR - MODEL AFS-MF IONIZATION PRODUCT SUBMITTAL



Ionization units should be powered when there is air flow in the system. The Plasma Air Model AFS-MF provides a convenient method for powering Series 100 and 200 Ionization Units. The AFS-MF is equipped with a pressure switch which closes at 0.05 inch WG. The unit can be used on either positive or negative pressure ducts. The AFS-MF can be installed in metal duct utilizing the factory supplied gaskets and pre-drilled flange. The unit is shipped complete with an electrical "jumper cord" and (4) 4 mm mounting screws to mount the ionization unit to the AFS-MF frame. The frame is mounted to the duct with sheet metal screws.

## SPECIFICATIONS

|                                |                        |
|--------------------------------|------------------------|
| Material:                      | 18 gauge steel         |
| Finish:                        | Heat cured powder coat |
| Gasket:                        | Neoprene EPDM          |
| Weight:                        | 2 pounds               |
| Maximum Operating Temperature: | 140° F (60° C)         |
| Electrical:                    |                        |
| Voltage:                       | 115V/230V              |
| Power Consumption:             | 20 watts max           |
| Current Draw:                  | 0.2 amp max            |
| Frequency:                     | 50/60 hertz            |
| Internal Fuse:                 | 5 amp                  |
| Field Electrical Connection:   | Nema 5 receptacle      |



DIMENSIONS: See Figure 1

